

# SERIES 94 SQUARE CARBURETOR USED ON 7.5, .67, .82, .91 AND 1.00

COMPLETE LATER STYLE CARBURETOR

ALL NECK DIAMETER = .625"

7.5 - THROAT - = 80-8701 (FI) 80-8722 (RI)

7.5 .67 .82 .91 1.00 - THROAT  $\phi$ .456 - = 80-6701 (FI) 80-67xx (RI)

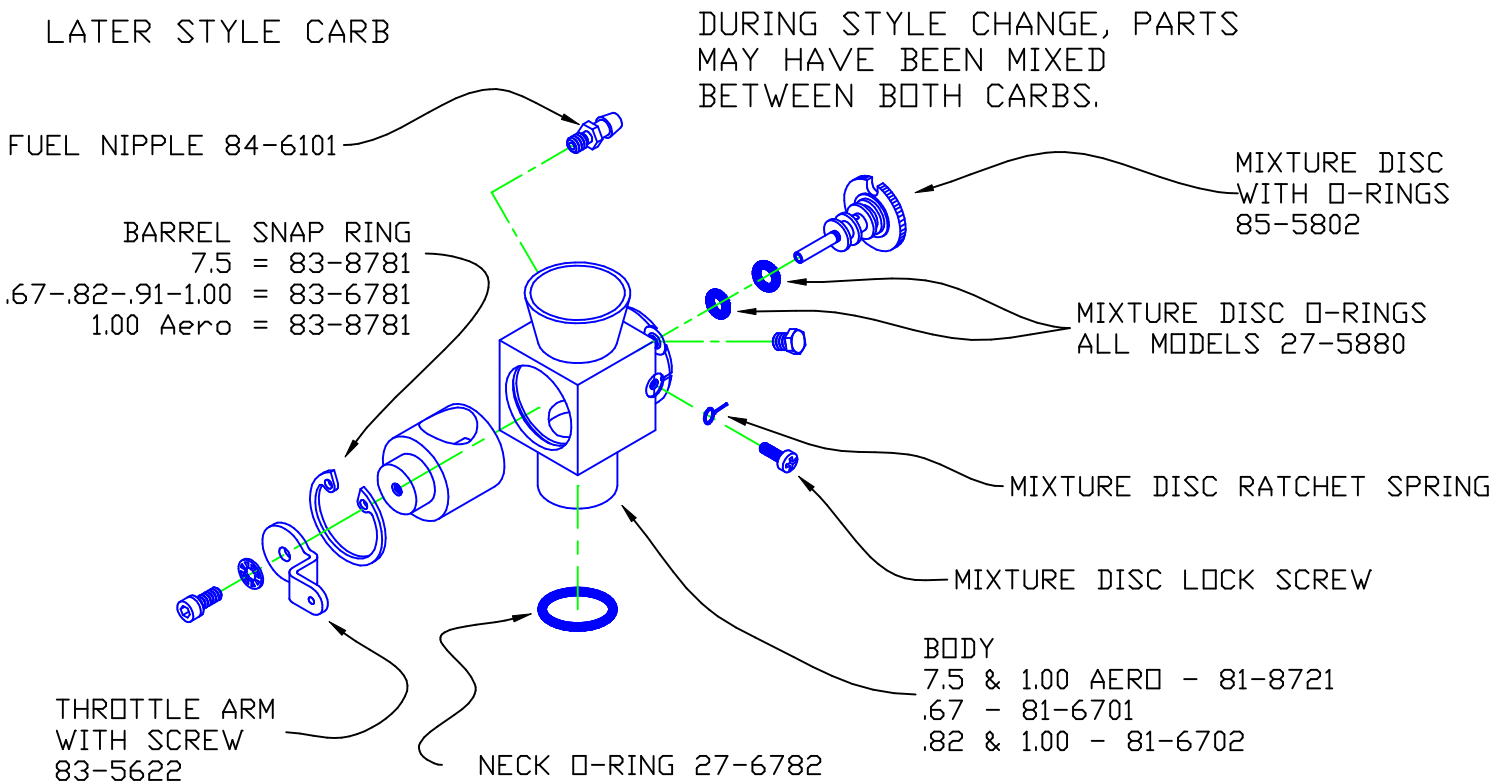
.67 .82 .91 1.00 - THROAT  $\phi$ .483 - = 80-6702

1.00 AERO - THROAT DIA - = 80-8701

ALL REQUIRED  
REMOTE NEEDLE  
PN 985-001  
or 985-002

PLEASE CALL US IF NO PART NUMBER OR PART NUMBER CONTAINS XX

## LATER STYLE CARB



## EARLY STYLE CARB

